

Product information presented here reflects conditions at time of publication. Consult factory regarding discrepancies or inconsistencies.

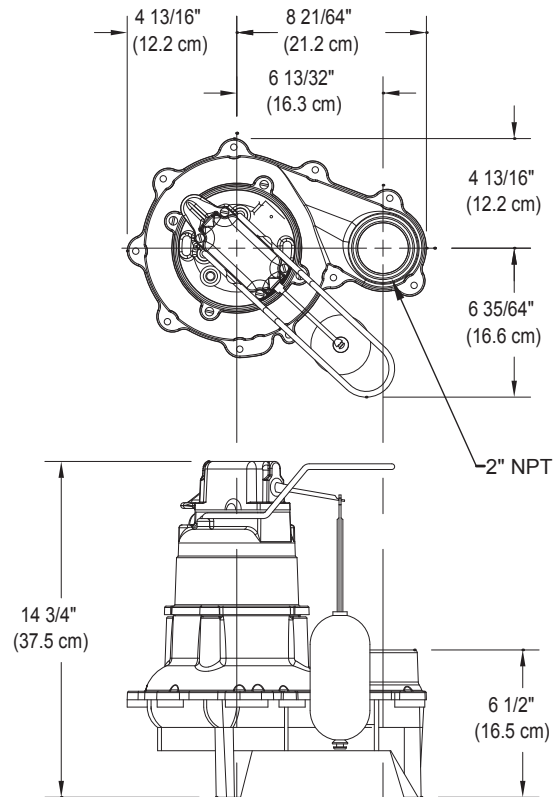
PUMP COMPANY

Zoeller Family of Water Solutions™

TECHNICAL DATA SHEET
WASTE-MATE SERIES
Model 264 Sewage/Effluent or Dewatering Pump

PRODUCT SPECIFICATIONS

MOTOR	Horse Power	4/10
	Voltage	115 or 230
	Phase	1 Ph
	Hertz	60 Hz
	RPM	1725
	Type	Permanent split capacitor
	Insulation	Class B
	Amps	4.7 - 9.4
	PUMP	Operation
Auto On/Off Points		12-1/2" (31.8 cm) / 4-1/2" (11.4 cm)
Discharge Size		2" NPT
Solids Handling		2" (50 mm) spherical solids
Cord Length		15' (5 m) standard
Cord Type		UL listed cord and plug
Max. Head		18' (5.5 m)
Max. Flow Rate		90 GPM (341 LPM)
Max. Operating Temp.		130° F (54° C)
Cooling		Oil filled
Motor Protection		Auto reset thermal overload
MATERIALS	Cap	Cast iron
	Motor Housing	Cast iron
	Pump Housing	Cast iron
	Base	Engineered plastic
	Upper Bearing	Sleeve bearing
	Lower Bearing	Sleeve bearing
	Mechanical Seals	Carbon and ceramic
	Impeller Type	Non-clogging vortex
	Impeller	Engineered plastic
	Hardware	Stainless steel
	Motor Shaft	Carbon and ceramic
	Gasket	Neoprene or Buna-N
	Min. Basin Size	Simplex: 18" x 30" (45.7 x 76.2 cm) Duplex: 30" x 36" (76.2 x 91.4 cm)



S1643

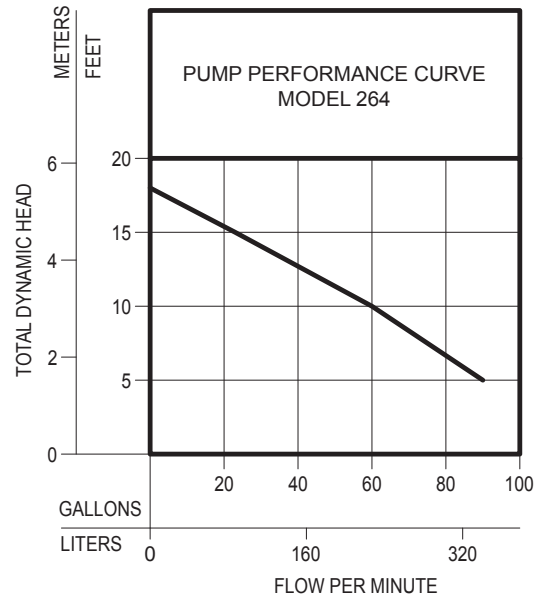
NOTE: The sizing of effluent systems normally requires variable level float(s) controls and properly sized basins to achieve required pumping cycles or dosing timers with nonautomatic pumps.

NOTE: See model comparison chart for specific details.



TOTAL DYNAMIC HEAD FLOW PER MINUTE

MODEL		264	
Feet	Meters	Gallons	Liters
5	1.5	90	341
10	3.0	60	227
15	4.6	23	87
Shut-off Head:		18 ft (5.5 m)	



009931

Model	MODEL COMPARISON										
	Seal	Mode	Volts	Ph	Amps	HP	Hz	Lbs	Kg	Simplex	Duplex
M264	Single	Auto	115	1	9.4	4/10	60	35.5	16.0	1	4
N264	Single	Non	115	1	9.4	4/10	60	34.5	15.6	2 or 3	4
D264	Single	Auto	230	1	4.7	4/10	60	35.5	16.0	1	4
E264	Single	Non	230	1	4.7	4/10	60	34.5	15.6	2 or 3	4

Additional cord lengths are available in 25' (8 m) and 35' (11 m). 50' (15 m) cords are available for 230 V units only.

SELECTION GUIDE

1. Integral float operated mechanical switch, no external control required.
2. For automatic use single piggyback variable level float switch or double piggyback variable level float switch. Refer to FM0477.
3. See FM1228 for correct model of simplex control panel.
4. See FM0712 for correct model of duplex control panel or FM1663 for a residential alternator system.

CAUTION All installation of controls, protection devices and wiring should be done by a qualified licensed electrician. All electrical and safety codes should be followed including the most recent National Electrical Code (NEC) and the Occupational Safety and Health Act (OSHA).